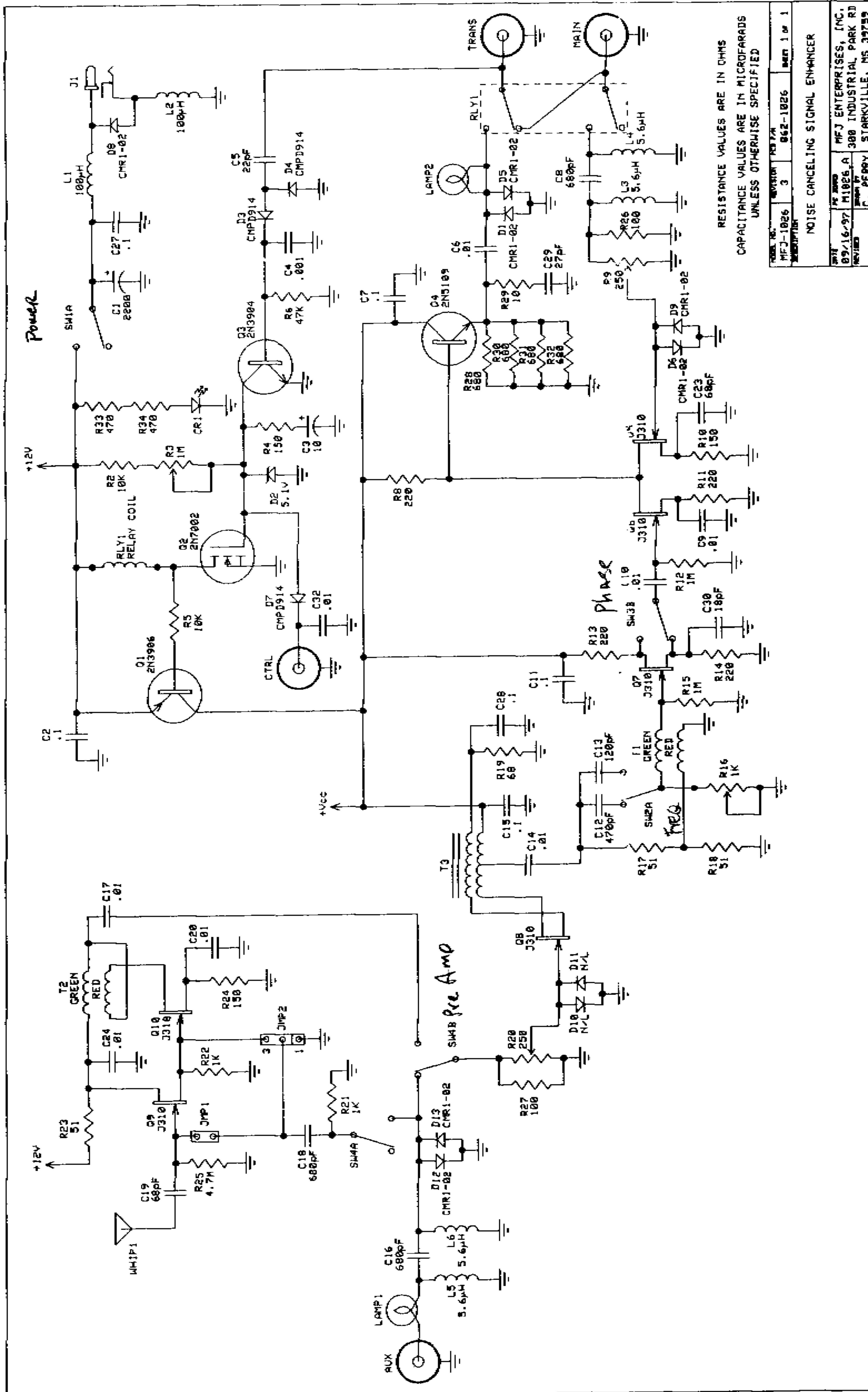


Schematic



RESISTANCE VALUES ARE IN OHMS
CAPACITANCE VALUES ARE IN MICROFARADS
UNLESS OTHERWISE SPECIFIED

DATE	REVISION	BY	DATE
09/16/97	3	PER P&H	06/2-1026
PAGE 1 OF 1			

NOISE CANCELING SIGNAL ENHANCER

MFJ ENTERPRISES, INC.
388 INDUSTRIAL PARK RD
STARKVILLE, MS 39759